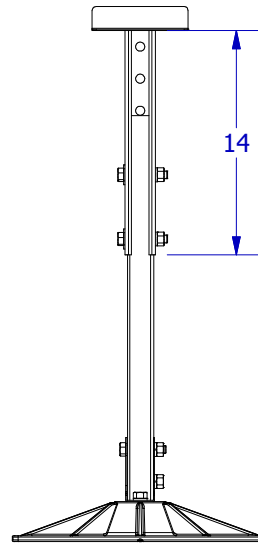
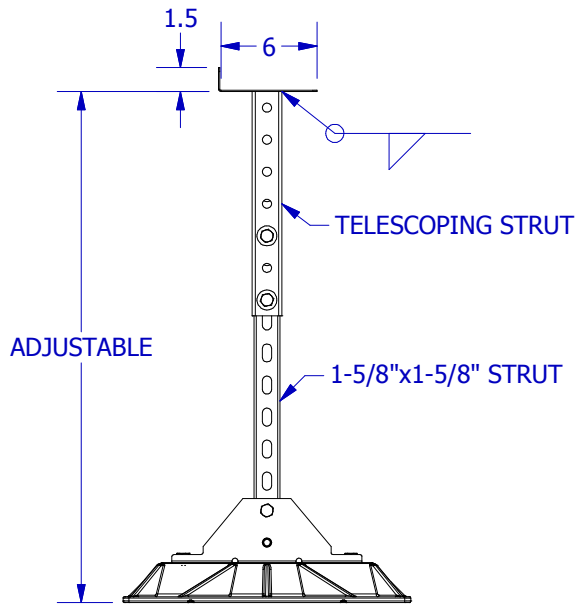
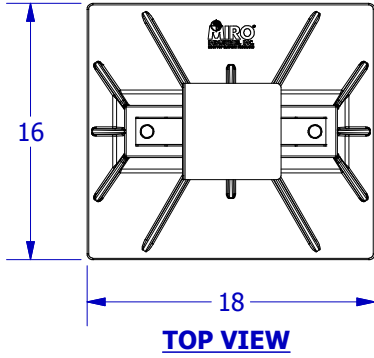


Telescoping Mechanical Unit Support

<p>PROPRIETARY AND CONFIDENTIAL</p> <p>THE INFORMATION CONTAINED IN THIS DRAWING IS THE SOLE PROPERTY OF MIRO INDUSTRIES, INC. ANY REPRODUCTION IN PART OR AS A WHOLE WITHOUT THE WRITTEN PERMISSION OF MIRO INDUSTRIES, INC. IS STRICTLY PROHIBITED.</p>			DIMENSIONS ARE IN INCHES TOLERANCES: FRACTIONAL ± ANGULAR: MACH ± BEND ± TWO PLACE DECIMAL ± THREE PLACE DECIMAL ±	NAME	DATE	PRODUCT NAME		
			MATERIAL	DRAWN	RND	1/11/2013	Telescoping Mechanical Unit Corner Support	
			FINISH	CHECKED				
				ENG APPR.				
				MFG APPR.				
NEXT ASSY	USED ON	GALVANIZED	Q.A.			SIZE	PRODUCT QUANTITY:	REV.
APPLICATION		DO NOT SCALE DRAWING	COMMENTS:			A		
			SCALE:	N.T.S.	WEIGHT:	N/A	SHEET:	1 of 4



Telescoping Mechanical Unit Support

<p>PROPRIETARY AND CONFIDENTIAL</p> <p>THE INFORMATION CONTAINED IN THIS DRAWING IS THE SOLE PROPERTY OF MIRO INDUSTRIES, INC. ANY REPRODUCTION IN PART OR AS A WHOLE WITHOUT THE WRITTEN PERMISSION OF MIRO INDUSTRIES, INC. IS STRICTLY PROHIBITED.</p>			<p>DIMENSIONS ARE IN INCHES</p> <p>TOLERANCES:</p> <p>FRACTIONAL ±</p> <p>ANGULAR: MACH ± BEND ±</p> <p>TWO PLACE DECIMAL ±</p> <p>THREE PLACE DECIMAL ±</p> <p>MATERIAL</p> <p>FINISH</p> <p>GALVANIZED</p> <p>DO NOT SCALE DRAWING</p>	NAME	DATE	<p>PRODUCT NAME</p> <p>TELESCOPING MECHANICAL UNIT EDGE SUPPORT</p>		
				DRAWN	RND			1/11/2013
				CHECKED				
				ENG APPR.				
				MFG APPR.				
				Q.A.				
	NEXT ASSY	USED ON		COMMENTS:		SIZE	PRODUCT QUANTITY:	REV.
	APPLICATION					A		
				SCALE:	N.T.S.	WEIGHT:	N/A	SHEET: 2 of 4